

# CABINET ASSEMBLY: EXAMPLE 9

**Hardware**

- Hinges to match Cabinet
- Handles to be White Bronze
- Legs: 4" x 1 3/4" Adjustable Stainless Steel
- Interior Shelves Available Upon Request

Thomas Outdoor Kitchens, Inc.  
 630 Ramsey Ave. Hillside, N.J. 07205  
 (908)-810-0030 TEL. (908)-810-1551 FAX  
 Architectural Aluminum Products  
 www.ThomasOutdoorKitchens.com

**Revision**

#	Date	Description
00	2020	Catalog
01	2021	Catalog
02	2022	Catalog

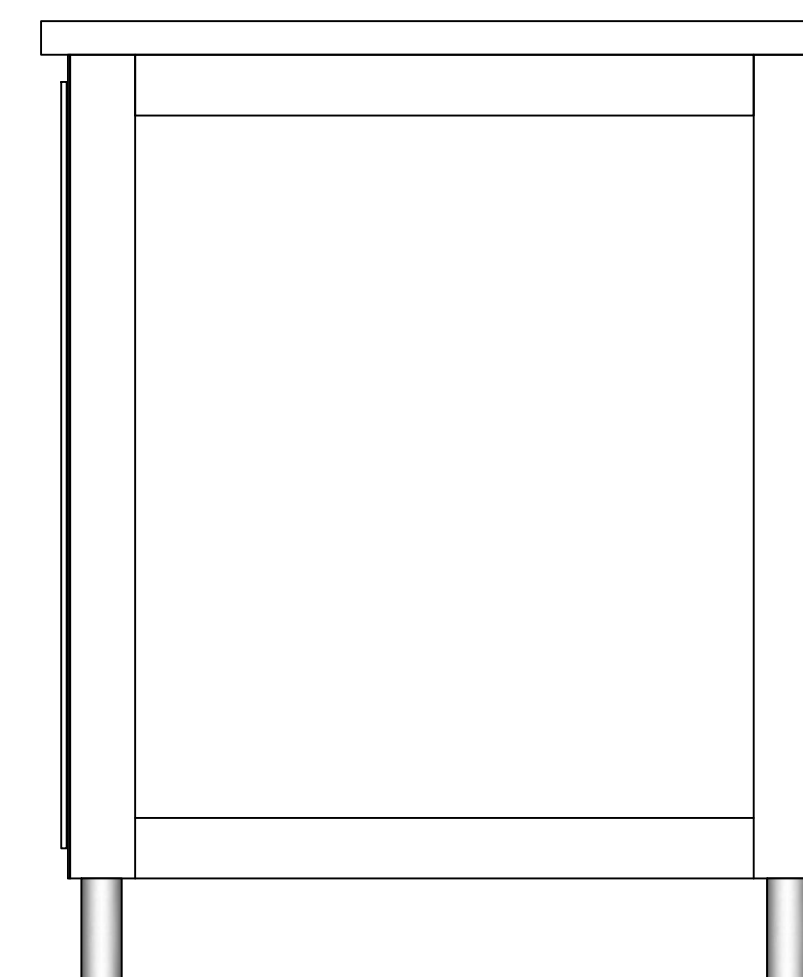
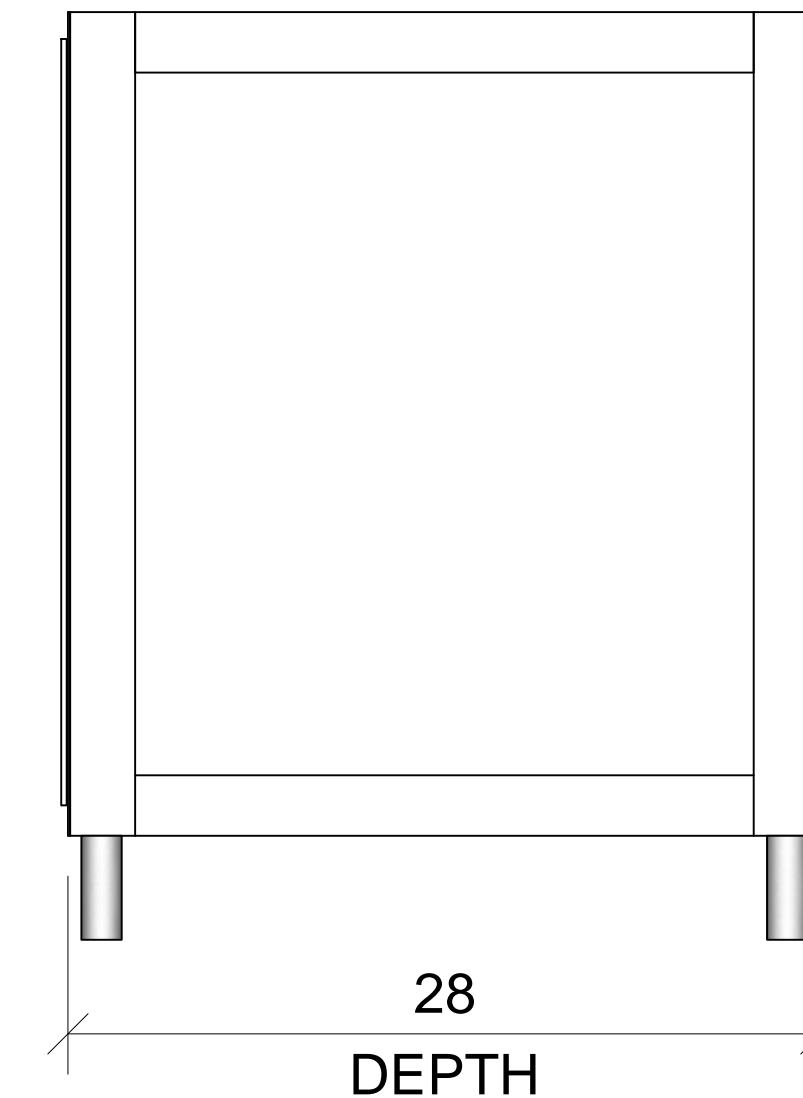
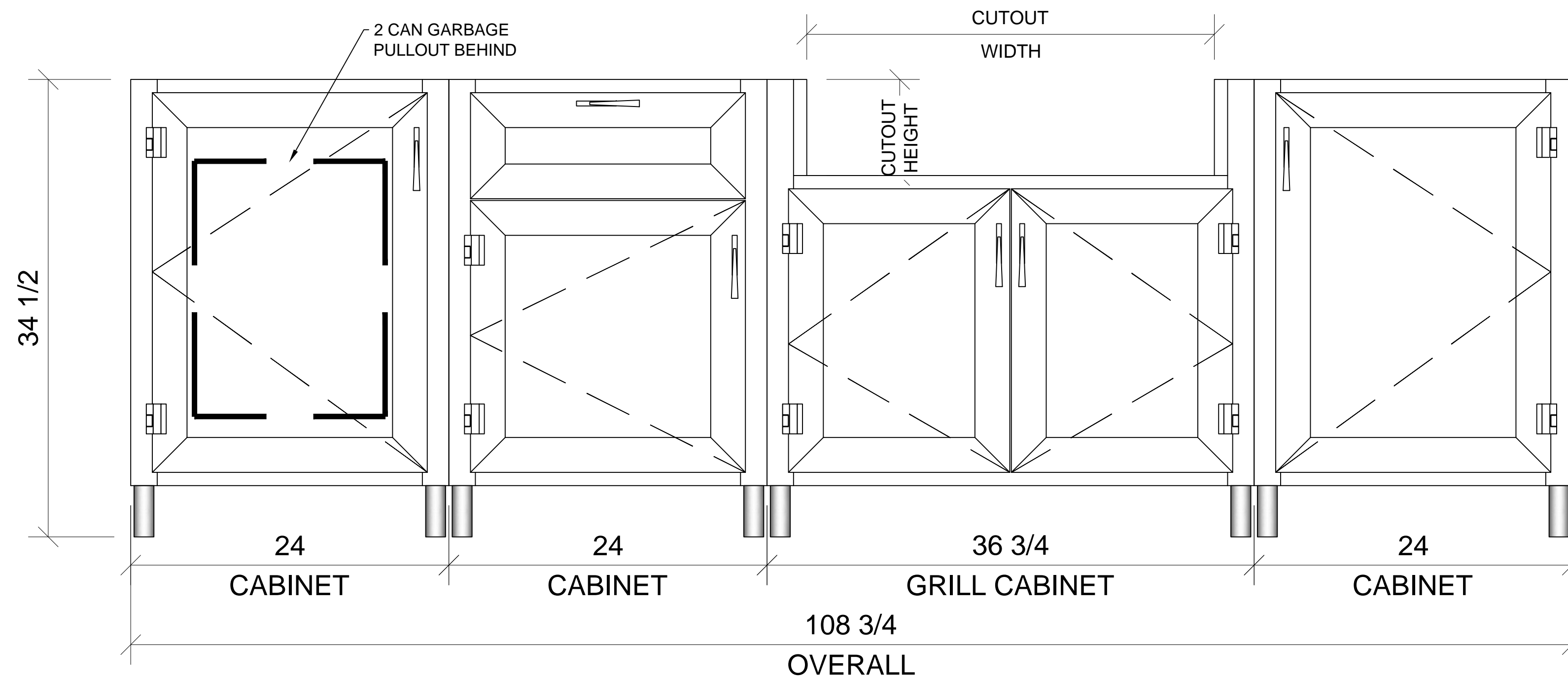
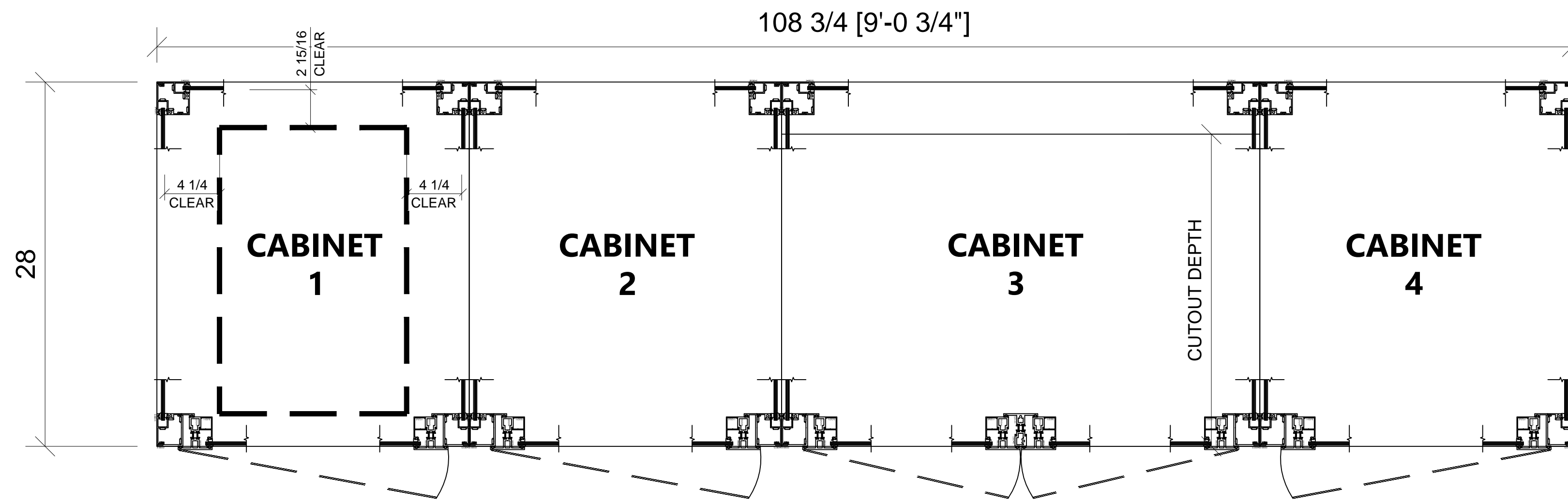
**Project Information**

Quality Outdoor Kitchens  
 Built to your Specifications

TOK  
 STANDARD  
 LAYOUTS  
 Drawing Name

TOK.19

Drawing #



GRANITE & APPLIANCES NOT SUPPLIED BY THOMAS OUTDOOR KITCHENS

