

CABINET ASSEMBLY: EXAMPLE 6

Hardware

- Hinges to match Cabinet
- Handles to be White Bronze
- Legs: 4" x 1 3/4" Adjustable Stainless Steel
- Interior Shelves Available Upon Request

Thomas Outdoor Kitchens, Inc.
630 Ramsey Ave. Hillside, N.J. 07205
(908)-810-0030 TEL. (908)-810-1551 FAX
www.ThomasOutdoorKitchens.com
Architectural Aluminum Products

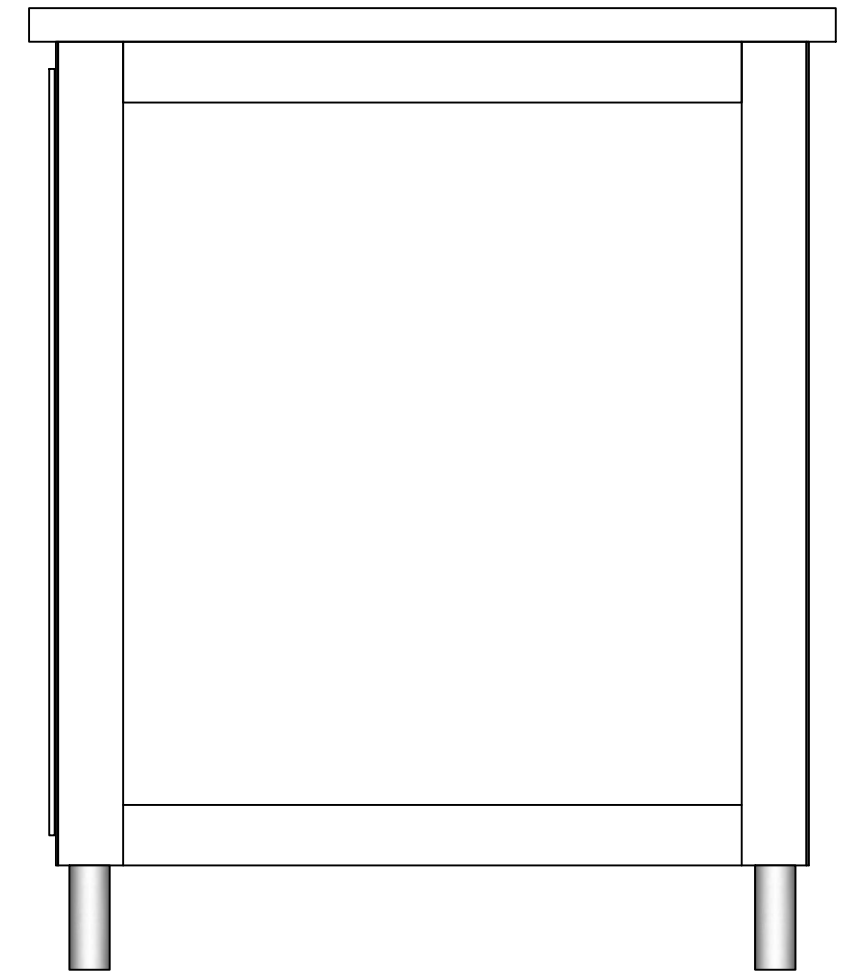
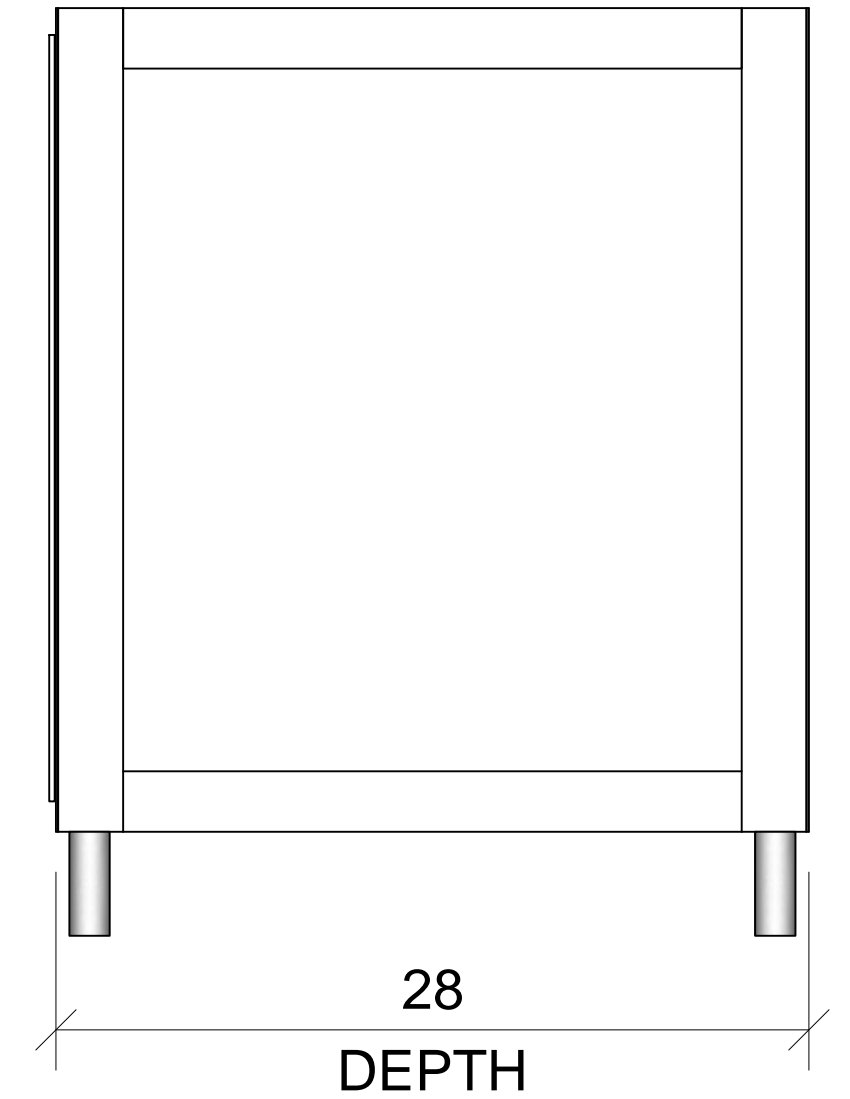
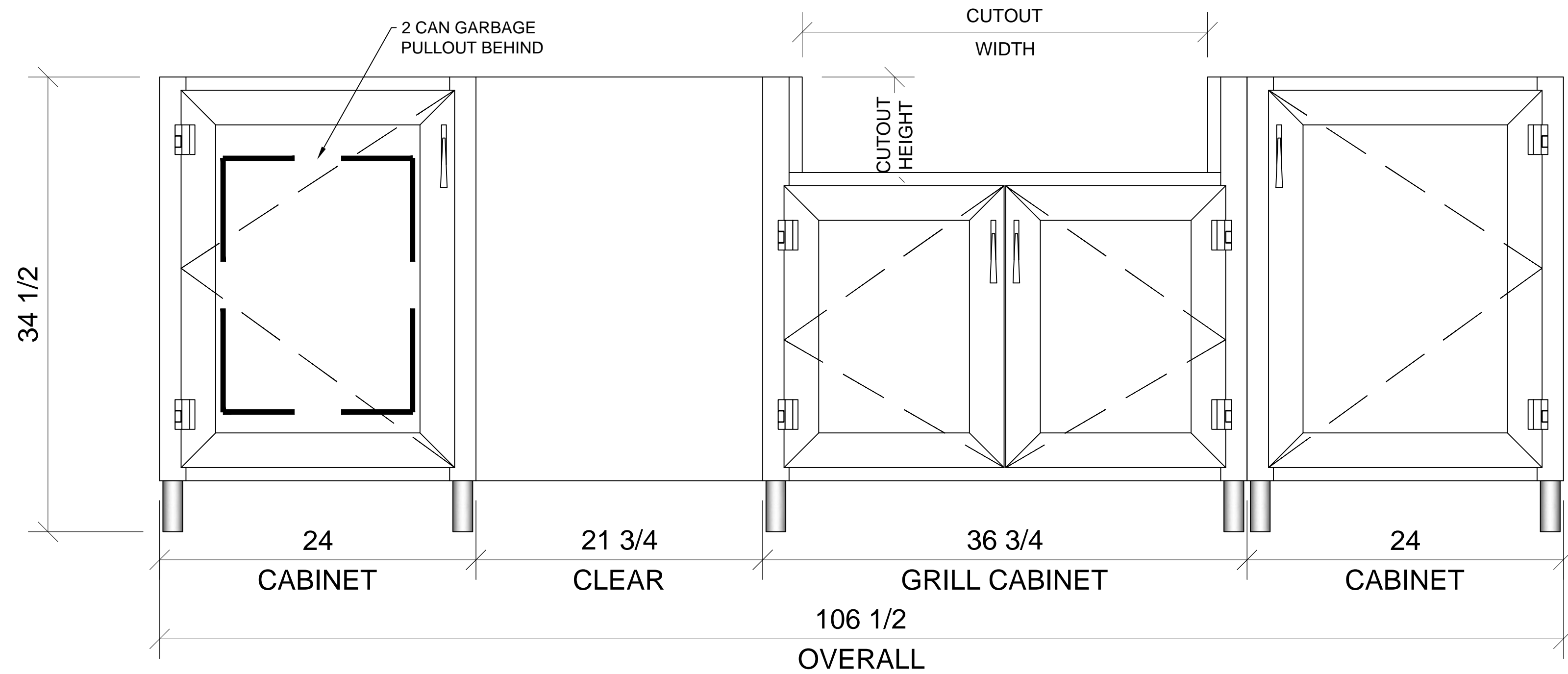
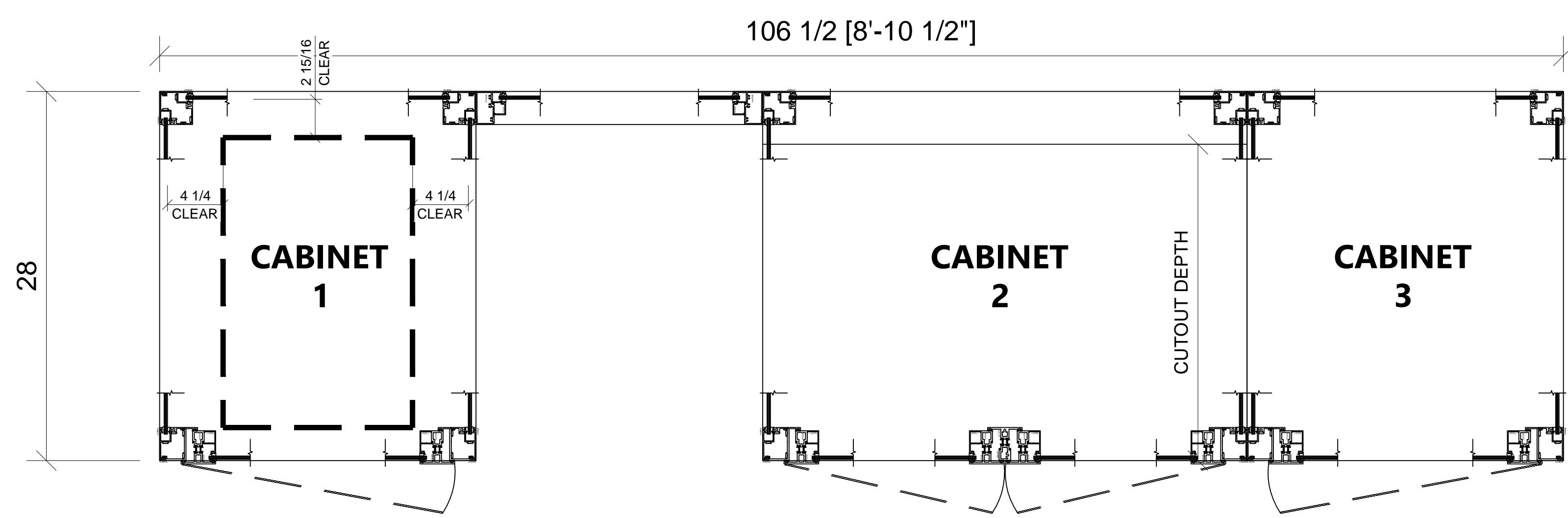
Revision

#	Date	Description
00	2020	Catalog
01	2021	Catalog
02	2022	Catalog

Project Information
Quality Outdoor Kitchens
Built to your Specifications

TOK
STANDARD
LAYOUTS
Drawing Name

TOK.16
Drawing #



GRANITE & APPLIANCES NOT SUPPLIED BY THOMAS OUTDOOR KITCHENS

